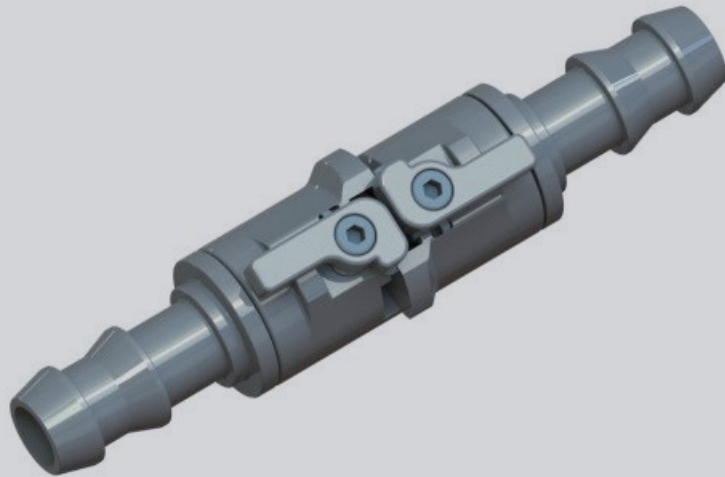




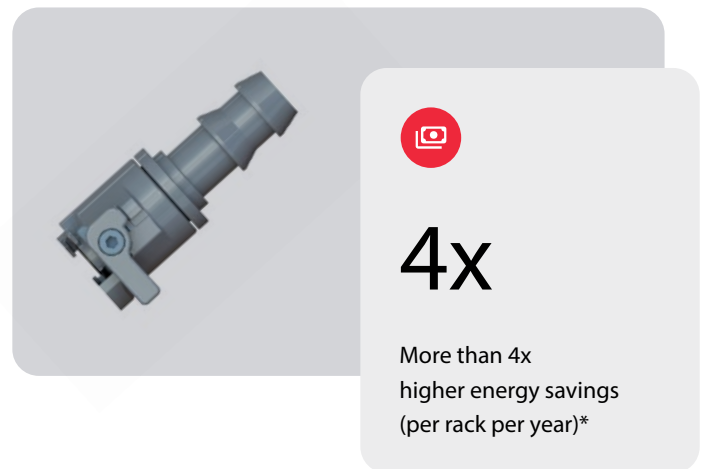
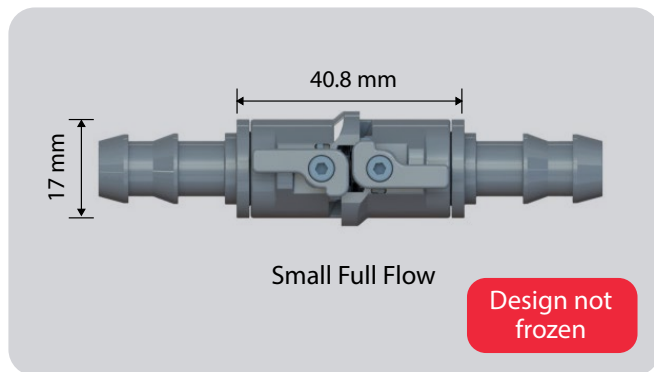
Small size full flow coupling (FD83 Series)



Small size full flow coupling (FD83 Series)

Danfoss **small size full flow coupling** is designed for fluid transfer and electronics cooling applications where full flow, fluid compatibility and safety are essential.

The couplings identical halves include a patented dual interlock feature to prevent accidental disconnection and ensure maximum safety. Valves cannot be opened until the coupling halves are mated and coupling halves cannot be disconnected until both halves are closed.



Features and Benefits

Full flow with limited pressure drop

- Cv target** of 3.10 > Cv UQD 06 of 2.37
- Optimizes the overall liquid cooling system and reduces the energy consumption & costs

Small size perfect for in-rack use to overcome space constraints (smaller than Danfoss UQD02 compact version)

- Connected length of small full flow: 40.2mm
- Connected length of compact UQD 02: 47.1mm

Safe operation

- Dual interlock system (patented) prevents accidental disconnection
- Optimized and proprietary technology of FD83 adapted to small size coupling
- Spillage target** : 0.05 cc
- 100% helium-leak tested

Product uniqueness & reliability

- First small full flow coupling launched for this application
- Danfoss unique profile with Intellectual Property
- Manufactured in France for global distribution + QR code marking to help track parts globally
- Stainless Steel construction for high corrosion resistance, EPDM sealing material for optimized fluid compatibility

Ease of use

- Easy installation and maintenance for data center operators (no tool required)
- 'Twist to connect' by hand about 90°
- Hose barb end-connection to connect easily with installed hose lines (more end-connections available upon requests)
- Identical coupling halves

Characteristics

- Ball valve technology
- Minimal flow diameter target** : 6mm
- Operating temperature range target** : -3°C min (26.6°F), 60°C max (140°F)
- Qualified with Boston® by Danfoss EHW194 hoses

Applications

- Liquid cooling in data center/water cooling
- Inner rack application & inner-server cooling

*Based on calculation made with Danfoss Hansen® UQD 02 Vs Small size FD83 coupling pressure drop for a system with 42 servers. Replacing one set of Small full flow would require 8 sets of UQD02.
**Please note that the given values are only shown as target values, these will be confirmed after product testing (available soon).

Explore our solutions
danfoss.com



Any information, including, but not limited to information on selection of product, its application or use, product design, weight, dimensions, capacity or any other technical data in product manuals, catalogues descriptions, advertisements, etc. and whether made available in writing, orally, electronically, online or via download, shall be considered informative, and is only binding if and to the extent, explicit reference is made in a quotation or order confirmation. Danfoss cannot accept any responsibility for possible errors in catalogues, brochures, videos and other material. Danfoss reserves the right to alter its products without notice. This also applies to products ordered but not delivered provided that such alterations can be made without changes to form, fit or function of the product. All trademarks in this material are property of Danfoss A/S or Danfoss group companies. Danfoss and the Danfoss logo are trademarks of Danfoss A/S. All rights reserved.

Danfoss A/S 丹佛斯签约经销商
北京汉深流体技术有限公司

地址：北京朝阳区望京 SOHO-T1-C 座
2115 室
邮编：100102
手机：139 1096 2635
电子邮件：sales@cnmec.biz

Danfoss A/S
Nordborgvej 81
6430 Nordborg
Denmark
danfoss@danfoss.com
CVR reg. no. 20165715

© Danfoss 2025