

# J70000 Series



Eaton's J70000 Series is commonly seen in injection molding applications on cooling and heating lines. Brass and vibration-resistant structure allows for use in demanding cooling and heating environments.

## Product Features

- Standard body material: Brass
- Standard seal material: Viton

## Physical Characteristics

DN/ND	Max. Operating Pressure		Temperature
	(bar)	(psi)	
8	15	217	-15 °C + 200 °C / +5 °F +392 °F
12	15	217	-15 °C + 110 °C / +5 °F +230 °F with identification ring

## Applications & Markets

- Injection Molding
- Cooling Water
- Heat-transfer Fluid

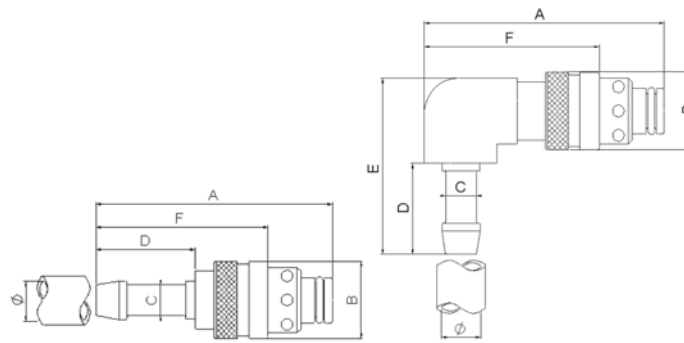


Figure 1

Figure 2

DN/ND	Socket/ Female Part Number	Coupling Type	Hose Size ø	Fig.	Dimensions										Weight	
					A	B	C	D	F	A	B	C	D	F	(lbs)	(g)
8	JL7086789	Plug with straight hose tail	8 mm	1	2.38	0.79	0.31	1.08	1.77	60.5	20	8	27.5	45	0.104	47
8	JL7086701	Plug with straight hose tail	10 mm	1	2.38	0.79	0.39	1.08	1.77	60.5	20	10	27.5	45	0.110	50
8	JL7086712	Plug with straight hose tail	12 mm	1	2.60	0.79	0.47	1.30	1.99	66	20	12	33	50.5	0.119	54
12	JL7126713	Plug with straight hose tail	13 mm	1	2.95	1.10	0.51	1.30	2.17	75	28	13	33	55	0.271	123
12	JL7126716	Plug with straight hose tail	16 mm	1	2.95	1.10	0.63	1.30	2.17	75	28	16	33	55	0.291	132

DN/ND	Plug/Male Part Number	Coupling Type	Hose Size ø	Fig.	Dimensions										Weight			
					A	B	C	D	E	F	A	B	C	D	E	F	(lbs)	(g)
8	JL7088289	Plug with 90° hose tail	8 mm	2	2.17	0.79	0.31	1.08	1.93	1.56	55	20	8	27.5	49	39.5	0.179	81
8	JL7088201	Plug with 90° hose tail	10 mm	2	2.17	0.79	0.39	1.08	1.93	1.56	55	20	10	27.5	49	39.5	0.181	82
8	JL7088212	Plug with 90° hose tail	12 mm	2	2.17	0.79	0.47	1.30	2.17	1.56	55	20	12	33	55	39.5	0.190	86

# J70000 Series

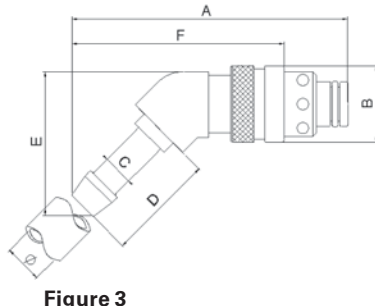


Figure 3

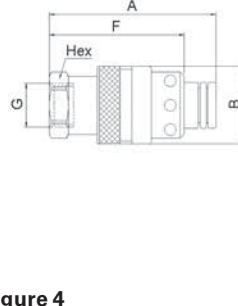


Figure 4

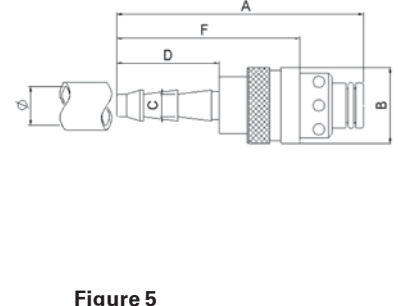


Figure 5

DN/ND	Plug/Male Part Number	Coupling Type	Hose Size ø	Fig.	Dimensions						Dimensions						Weight		
					A	B	C	D	E	F	A	B	C	D	E	F	(lbs)	(g)	
					(in)	(in)	(in)	(in)	(in)	(in)	(in)	(mm)	(mm)	(mm)	(mm)	(mm)	(mm)	(mm)	(mm)
8	JL7088389	Plug with 135° hose tail	8 mm	3	2.78	0.79	0.31	1.08	1.44	2.17	70.5	20	8	27.5	36.5	55	0.152	69	
8	JL7088301	Plug with 135° hose tail	10 mm	3	2.80	0.79	0.39	1.08	1.46	2.19	71	20	10	27.5	37	55.5	0.154	70	
12	JL7088312	Plug with 135° hose tail	12 mm	3	2.97	0.79	0.47	1.30	1.63	2.36	75.5	20	12	33	41.5	60	0.165	75	

DN/ND	Plug/Male Part Number	Coupling Type	Thread Female G	Fig.	Dimensions						Dimensions				Weight		
					A	B	F	Hex	A	B	F	Hex	(lbs)	(g)			
					(in)	(in)	(in)	(in)	(in)	(mm)	(mm)	(mm)	(mm)	(mm)	(mm)	(mm)	(mm)
8	JL7086214	Plug with female thread	G ¼	4	1.77	0.79	1.18	0.67	45	20	30	17	0.119	54			
12	JL7126212	Plug with female thread	G ½	4	2.28	1.10	1.52	0.94	58	28	38.5	24	0.300	136			

DN/ND	Plug/Male Part Number	Coupling Type	Hose Size ø	Fig.	Dimensions						Dimensions						Weight	
					A	B	C	D	F	A	B	C	D	F	(lbs)	(g)		
					(in)	(in)	(in)	(in)	(in)	(in)	(mm)	(mm)	(mm)	(mm)	(mm)	(mm)	(mm)	
8	JL7086838	Plug with straight push-on type hose tail	9,5 mm (3/8)	5	2.28	0.79	0.26	0.94	1.89	58	20	6.5	24	48	0.110	50		
8	JL7086812	Plug with straight push-on type hose tail	12,7 mm (1/2)	5	2.52	0.79	0.50	1.10	2.15	64	20	12.7	28	54.5	0.119	54		

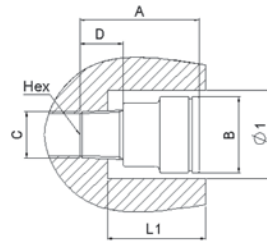


Figure 6

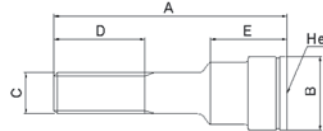


Figure 7

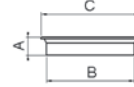


Figure 8

DN/ND	Plug/Male Part Number	Coupling Type	Thread Size (Male)	Fig.	Dimensions						Dimensions					Weight	
					A	B	C	D	Hex	A	B	C	D	Hex	(lbs)	(g)	
					(in)	(in)	(in)	(in)	(in)	(in)	(mm)	(mm)	(mm)	(mm)	(mm)	(mm)	
8	JL7083618	Socket with male thread	R ¼	6	1.10	0.83	0.38	0.30	0.20	28	21	9.6	7.5	5	0.046	21	
8	JL7083614	Socket with male thread	R ¼	6	1.22	0.83	0.51	0.43	0.31	31	21	13	11	8	0.053	24	
8	JL7083638	Socket with male thread	R ¾	6	1.22	0.83	0.65	0.45	0.39	31	21	16.5	11.5	10	0.066	30	
12	JL7123638	Socket with male thread	R ¾	6	1.56	1.26	0.65	0.45	0.39	39.5	32	16.5	11.5	10	0.141	64	
12	JL7123612	Socket with male thread	R ½	6	1.61	1.26	0.82	0.55	0.47	41	32	20.8	14	12	0.165	75	

DN/ND	Plug/Male Part Number	Coupling Type	Thread Size (Male)	Fig.	Dimensions						Dimensions					Weight	
					A	B	C	D	E	A	B	C	D	E	(lbs)	(g)	
					(in)	(in)	(in)	(in)	(in)	(in)	(mm)	(mm)	(mm)	(mm)	(mm)	(mm)	
8	JL7083118	Extended socket with male thread	G ¼	7	1.97	0.83	0.38	1.06	0.83	50	21	9.6	27	21	0.068	31	
8	JL7083218	Extended socket with male thread	G ¼	7	3.94	0.83	0.38	2.36	0.83	100	21	9.6	60	21	0.117	53	
8	JL7083318	Extended socket with male thread	G ¼	7	5.91	0.83	0.38	2.36	0.83	150	21	9.6	60	21	0.168	76	
8	JL7083114	Extended socket with male thread	G ¼	7	1.97	0.83	0.51	1.06	0.79	50	21	13	27	20	0.084	38	
8	JL7083214	Extended socket with male thread	G ¼	7	3.94	0.83	0.51	2.36	0.79	100	21	13	60	20	0.161	73	
8	JL7083314	Extended socket with male thread	G ¼	7	5.91	0.83	0.51	2.36	0.79	150	21	13	60	20	0.240	109	
8	JL7083414	Extended socket with male thread	G ¼	7	7.87	0.83	0.51	2.36	0.79	200	21	13	60	20	0.317	144	

To obtain connected length of coupling add Dimensions F (Fig. 1, 2, 3, 4 or 5) and A (Fig. 6 or Fig. 7) together.

DN/ND	Plug/Male Part Number	Coupling Type	Color	Fig.	Dimensions					
					A	B	C	A	B	C
					(in)	(in)	(in)	(mm)	(mm)	(mm)
8	J62P082	Identification ring	Red	8	0.18	0.87	0.96	4.5	22	24.5
8	J62P083	Identification ring	Blue	8	0.18	0.87	0.96	4.5	22	24.5
12	J62P122	Identification ring	Red	8	0.18	1.30	1.42	4.5	33	36
12	J62P123	Identification ring	Blue	8	0.18	1.30	1.42	4.5	33	36

FLUID TRANSFER AND HYDRAULIC

PNEUMATIC

SPECIAL APPLICATIONS

DIAGNOSTIC

AGRICULTURE

REFRIGERANT